

MEB-253

Electric Hospital Bed



Features

- Easy to clean with PP detachable platform with coating steel support (can modify to full flat surface)
- Material in reach of patient care is anti-bacterial (power coating steel)
- Full electric adjustable movement for easy handling
- Low voltage control box (battery for option)
- Remote handset with 8 buttons (back, knee, hi-low, auto-contour)
- Removable PP head & foot board (color option: blue, wooden, dark red, yellow)
- 3/4 length collapsible side rail
 - Single push button for fold down
 - Aluminum rail
- 125 mm high quality brake caster (central lock is option)
- Urinal hooks on both side of bed
- IV pole socket at 4 corners of bed
- Fixed bumper on 4 corners

Dimensions

MEB-253:

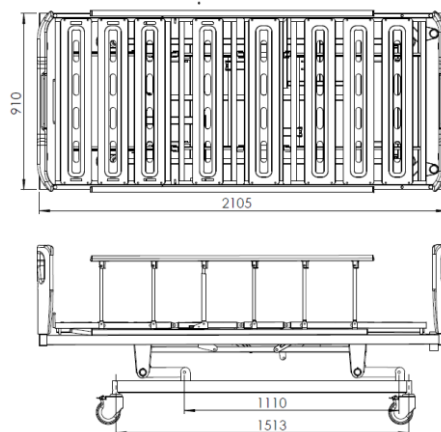
L2100 x W980 mm (86 platform)

Adjustable height:

440~750 mm by PP platform

Tolerance: 5%

MEB-253:



Medical Master

Address: No. 59-5, Ying Cheng 1st Street, Shi-Tung Dist., Taichung City, Taiwan (ROC)

Tel: +886-4-23171028/ Fax: +886-4-23171029